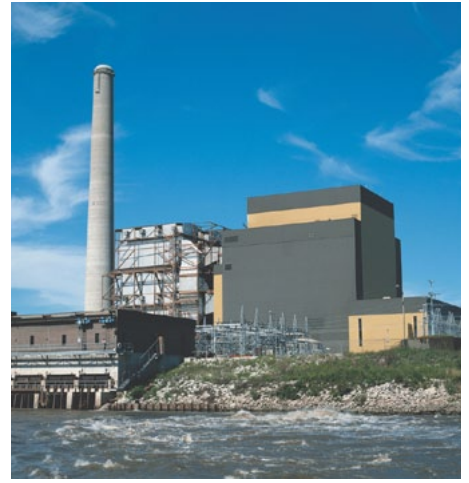


# Purge Adapters

The Solution to Isolate the Process



## Flow, Level and Pressure Applications:

Parker's Purge Adapters are used where the sensing lines need a constant purge to prevent plugging, and where the process needs to be isolated from the manifold, measuring instruments and connecting tubing.

The compact Purge Adapter assemblies replace many threaded connections, tube fittings, individual valves and rotometers. The established problem of operators adjusting flow on the purge rotometers, which affects the accuracy of the process measurement, is eliminated with the accurate and cost-effective Purge Adapter.



## Contact Information:

Parker Hannifin Corporation  
**PGI Division**  
16101 Vallen Drive  
Houston, TX 77041 USA

phone 713 466 0056  
fax 800 568 9228  
pgi\_sales@parker.com

www.pgiint.com  
www.parker.com

## Product Features:

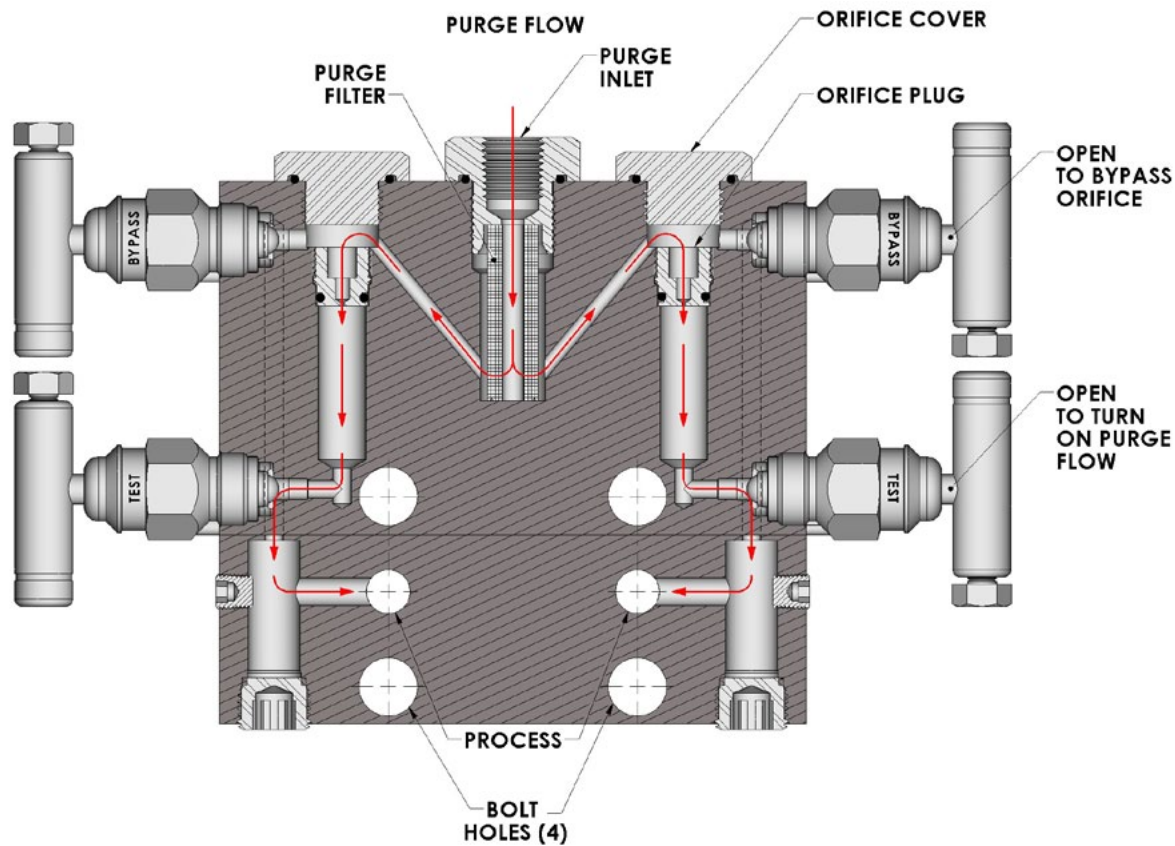
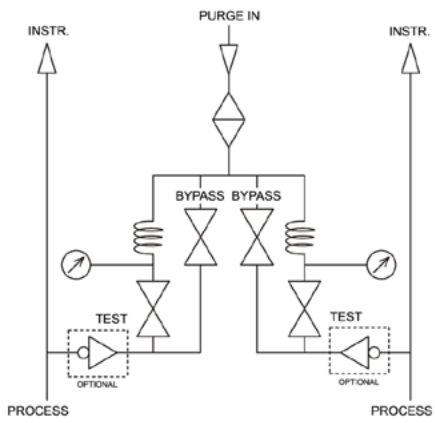
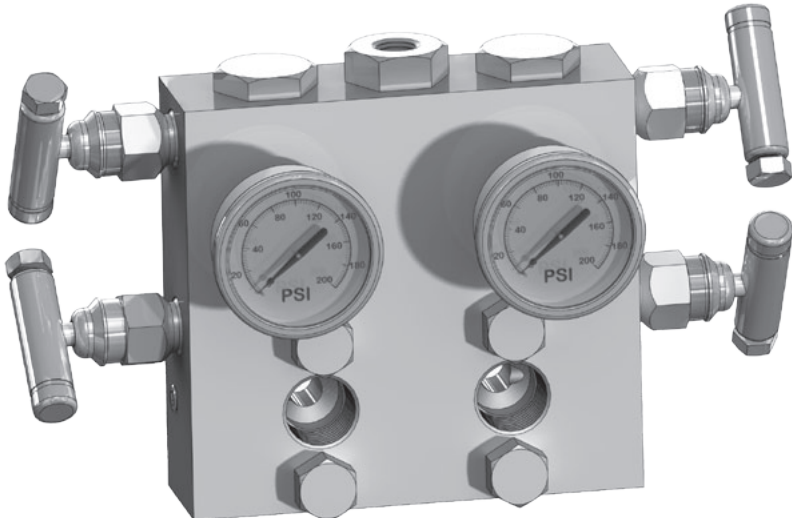
- Used to isolate process from manifold, measuring instruments, and connecting tubing
- Eliminates many threaded connections, tube fittings, individual valves, and rotometers
- Fixed constant purge for gases or liquids
- Variety of flow rates available
- Built-in test valves and filter element
- Built-in by-pass valves to by-pass purge metering elements to allow for high flow purge into the process
- Optional check valves to prevent back flow of process



ENGINEERING YOUR SUCCESS.

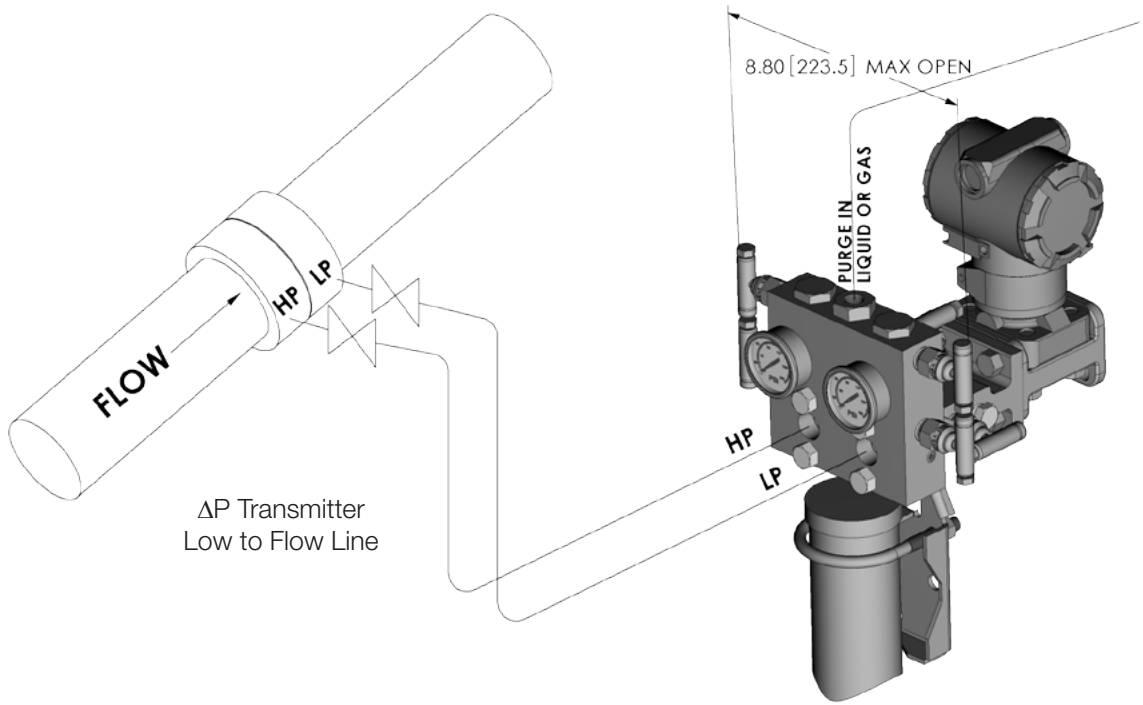
# Flow & Level Purge Adapter

Gauges not included. 1/4" NPT gauge ports.

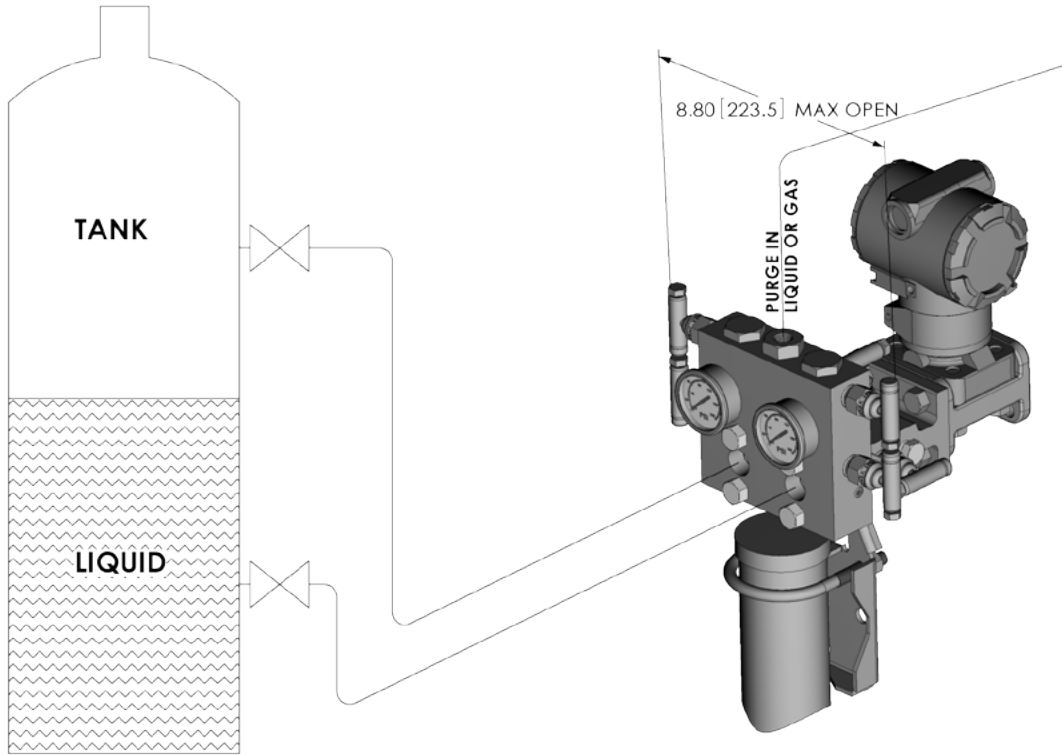


# Purge Adapter Applications

## Liquid Flow Application

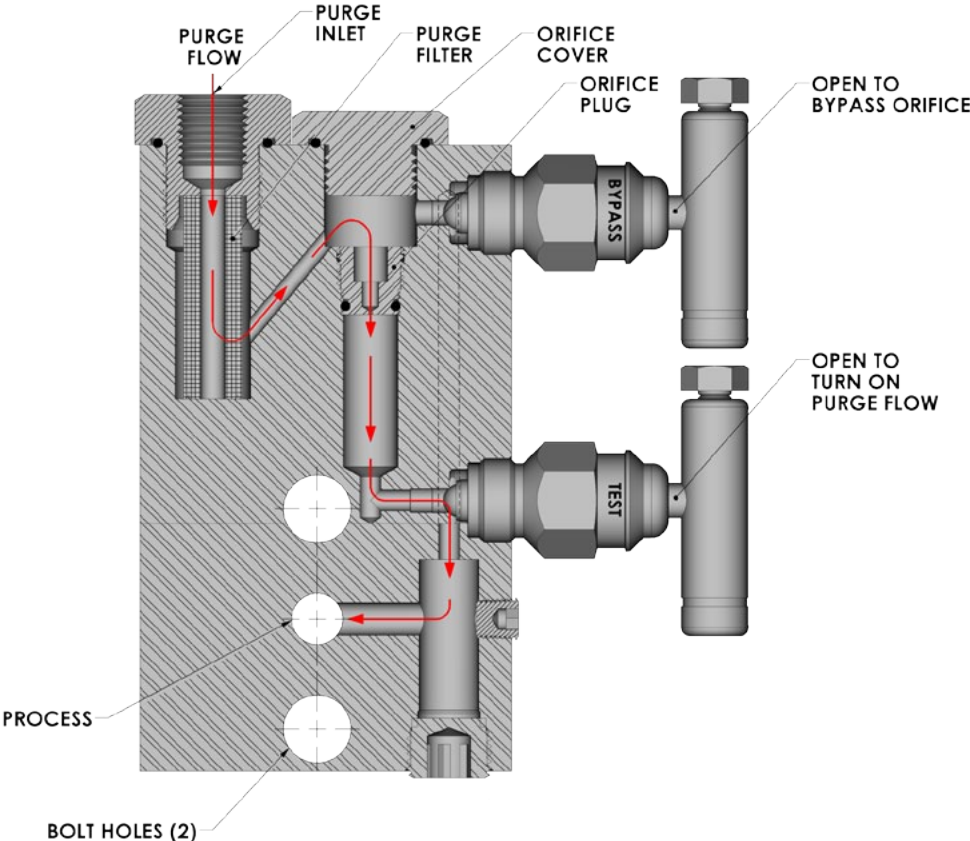
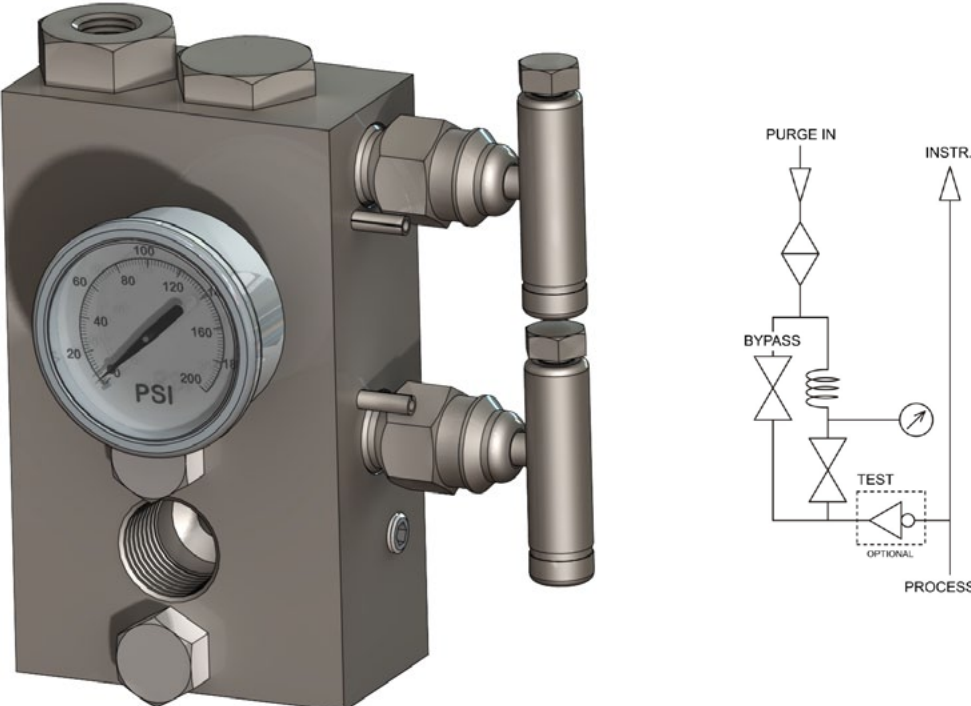


## Liquid Level Application



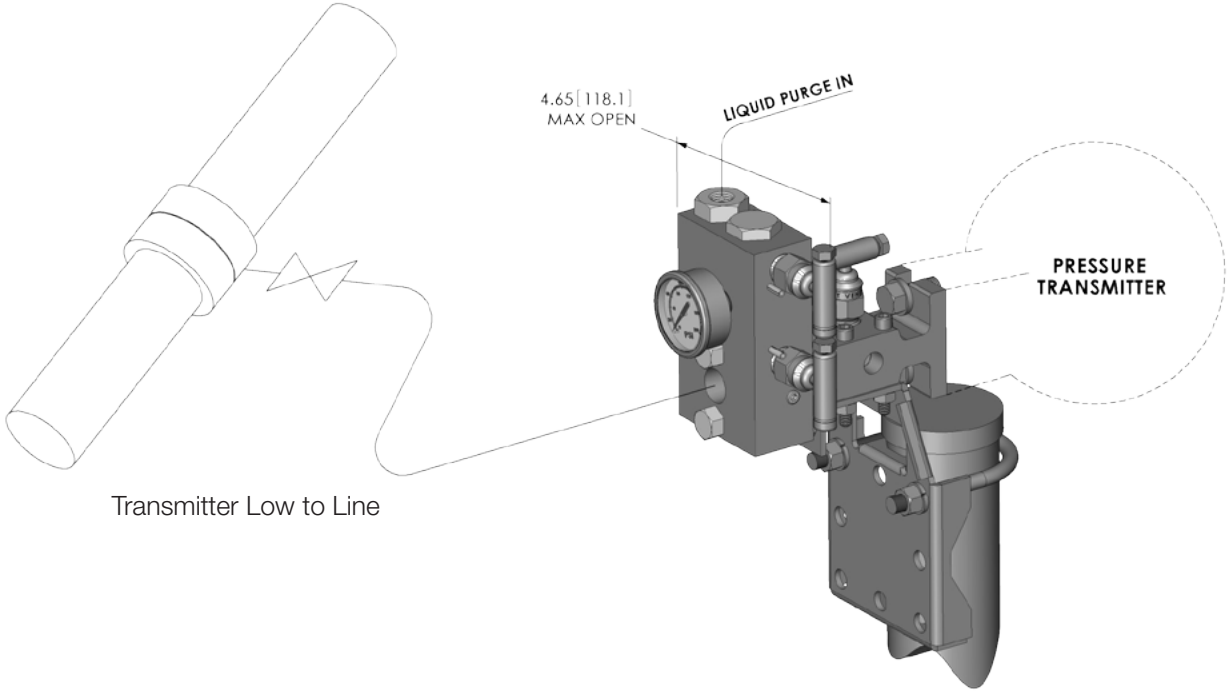
# Gauge Pressure Purge Adapter

Gauges not included. 1/4" NPT gauge ports.



# Purge Adapter Applications

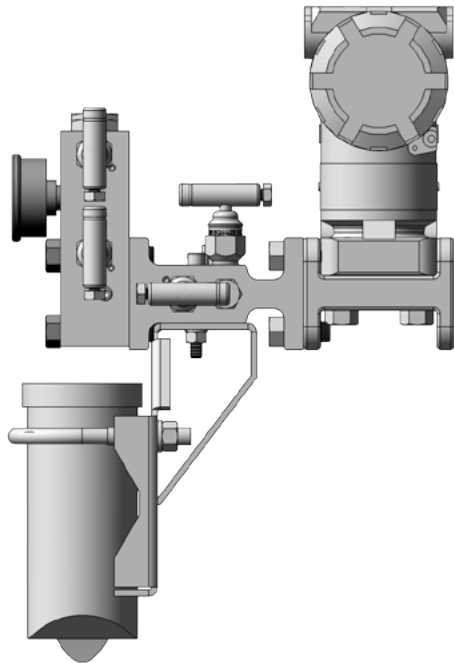
## Liquid Pressure Application



# Purge Adapter Assemblies

Purge adapters, manifold, and bracket assemblies are available.

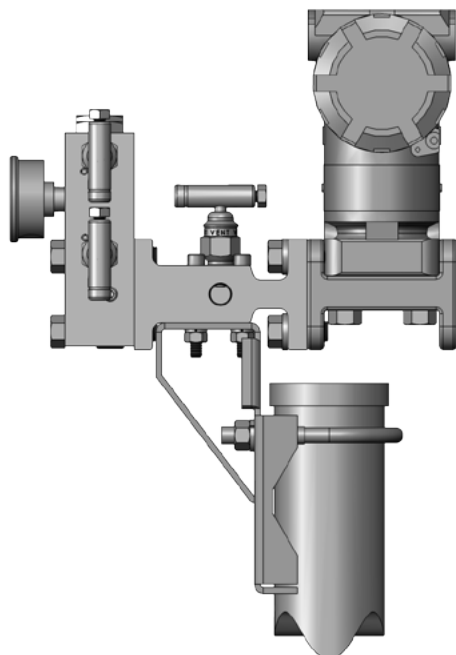
## Three-Valve Flow & Level Manifold Assembly AK-084SCT & AK-086SCT



Assembly consists of:

- Two Element Purge Adapter AK-062SCT
- Choose either a Hard Seat Three-Valve Manifold M-750SCT (AK-084SCT) or a Soft Seat Three-Valve Manifold M-751SDT (AK-086SCT)
- Mounting Bracket for 2" Pipe

## Two-Valve Gauge Pressure Manifold Assembly AK-088SCT & AK-087SCT



Assembly consists of:

- One Element Purge Adapter AK-064SCT
- Choose either a Hard Seat Two-Valve Manifold M-716SCT (AK-088SCT) or a Soft Seat Two-Valve Manifold M-715SDT (AK-087SCT)
- Mounting Bracket for 2" Pipe



# Purge Adapter Specifications

Body Style	Body Code	Seat Code	Stem Seal Code	Option Codes	Description
<b>Hard Seat</b>					
AK-062			—		Differential pressure purge adapter only
AK-064			—		Static pressure purge adapter only
AK-084			—		Differential pressure purge adapter, M-750SCT three-valve manifold and mounting bracket assembly
AK-088			—		Static pressure purge adapter, M-716SCT two-valve manifold and mounting bracket assembly

Body Code		Hard Seat Code		Stem Seal Code		Options	
S	316 SS [Std]	C	Carbide ball [Std]	T	PTFE Pressure-Core® [Std]	C3	EPDM O-rings
		R	Ceramic ball	G	Grafoil® packed	CD	Non-adjustable check valve(s)
		6	316 SS ball	V	Viton® O-ring	CF	0.2 SCFH capillary assembly
		N	K-Monel® ball	J	Low-temp Pressure-Core®	CK	0.4 SCFH / 0.3 GPH capillary assembly
		H	Hastelloy-C® ball			CHXXX	Orifice assembly XXX = Orifice size (Choose orifice size from chart below)
						CJ	60 micron filter, sintered 316 SS

## Materials of Construction

Part	Material
Body	ASTM A479-316
Bonnet	ASTM A479-316
Stem	ASTM A479-316
Seal Retainer	ASTM A479-316
Handle Assembly	ASTM A582 (18-8)
Pipe Plugs	ASTM A182-F (18-8)
Caps / Plugs	ASTM A479-316
Capillary Assembly	300 Series SS
Check Valve Assembly	300 Series SS (optional)
Filter	5 micron Phenolic Impregnated Rayon
O-Ring Seals	Viton®

## Metering Element Flow Rate Data

Orifice Flow Rates		
Orifice Size	SCFH @ 10 PSI Air	GPH @ 25 PSI H <sub>2</sub> O
.012"		1
.016"	4	2
.031"	19	6
.047"	36	16
.063"	55	28
.078"	85	42
.187"	110	48

## Replacement Parts

Part Number	Description
SAK-06X-XXX	Orifice Assembly Replacement Kit: Two Capillary / Orifice Plugs with Viton® O-rings, plus Capillary / Orifice Cover Viton® O-ring
<b>NOTE:</b> XXX = Capillary Option Code or Orifice Size (i.e., SAK-06X-CF for Capillary, or SAK-06X-016 for Orifice)	
P5-088-R1	Cap Viton® O-ring
P5-015-R5	Capillary / Orifice Viton® O-ring
P7-108-R0	5 micron Phenolic Impregnated Rayon Filter [Std]
P7-181-C0	60 micron filter, sintered 316 SS (CJ option)
<i>Call factory for individual Capillary or Orifice Meter Element replacement</i>	

## Pressure & Temperature

Body Material	Hard Seat PTFE Pressure-Core® or Grafoil®
316 SS	6,000 PSI @ 400°F

# Sales Offices Worldwide

## **Parker Hannifin Corporation**

PGI Division  
16101 Vallen Drive  
Houston, TX 77041  
USA  
phone 713 466 0056  
fax 713 744 9897  
email [pgi\\_sales@parker.com](mailto:pgi_sales@parker.com)  
[www.pgiiint.com](http://www.pgiiint.com)  
[www.parker.com](http://www.parker.com)

## **Parker Hannifin Corporation**

PGI Division  
18 Huashan Road, New District  
Changzhou, Jiangsu  
213022  
China  
phone +86 519 8980 7258  
fax +86 519 8980 7212

## **Parker Hannifin Corporation**

PGI Division  
11, Fourth Chin Bee Rd  
619702  
Singapore  
phone +65 6887 6300  
fax +65 6265 5125

## **Parker Hannifin Corporation**

PGI Division  
2620 21st Street NE  
Calgary, Alberta  
T2E 7L3  
Canada  
phone 403 291 3154  
fax 403 291 3292

Safety Guide – See [www.parker.com/safety](http://www.parker.com/safety).

© 2014 Parker Hannifin Corporation

PGI-PA Mar 2014



Parker Hannifin Corporation

### **PGI Division**

16101 Vallen Drive  
Houston, Texas 77041  
phone 713 466 0056  
fax 713 744 9897  
[www.pgiiint.com](http://www.pgiiint.com)

Your Local Authorized Parker Distributor